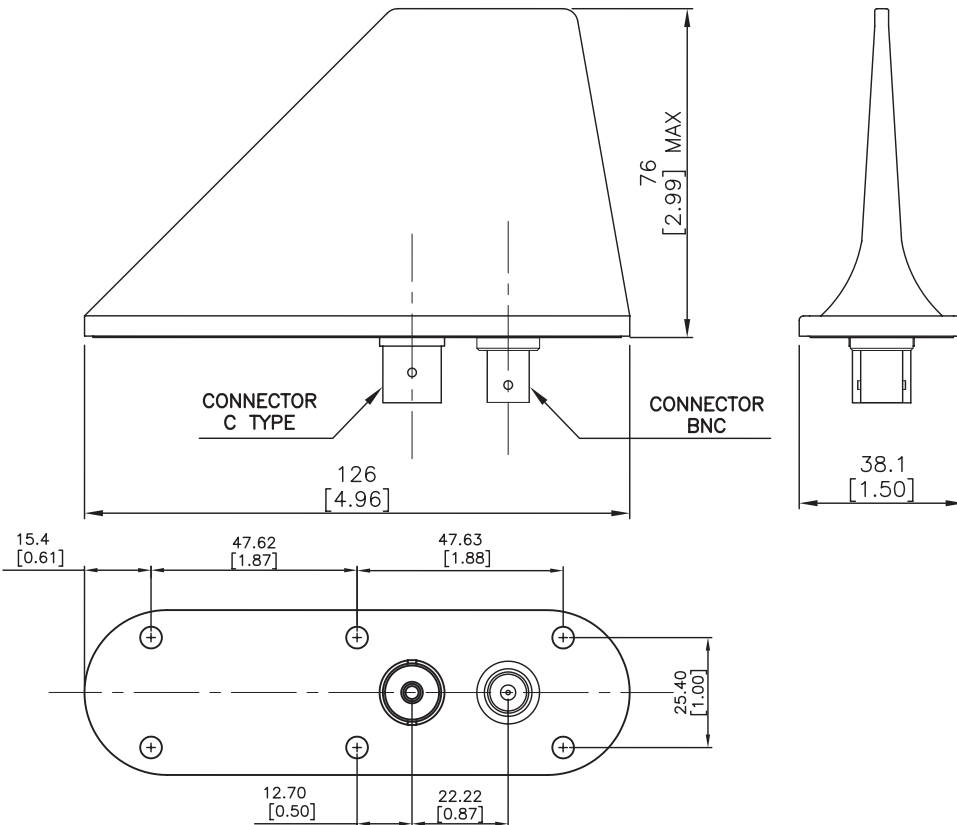




ELECTRICAL	
Frequency Range	950 MHz - 1220 MHz
VSWR	1.5:1(max)
Polarization	Vertical
Radiation Pattern	Omnidirectional in azimuth
Impedance RF	50 Ohms Nominal
Static Protection	DC Grounded
Power RF	4kw Peak
Test Probe	Isolation 18 db Nominal
MECHANICAL	
Weight	115 grams (max)
Height	76 mm (max)
Material	Glass Epoxy
Finish	Gloss
Connector	See Order Options
ENVIRONMENTAL	
Temperature	-55° C to +90° C -70° C to +120° C (Optional)
Altitude	60000 feet
ORDER OPTIONS	
CONNECTOR	
C-TYPE	Standard
BNC	Test Probe
COLOUR	
White	Standard
Black/Other	Optional

JL 02-1 is an L-band antenna designed to be used with IFF system. The design ensures excellent omnidirectional pattern over the entire band. The radiating element is encased in a single piece glass fibre reinforced epoxy radome. These antennas are low profile, low drag stub antennas designed to withstand severe environmental conditions ideally suited for high performance supersonic as well as rotary wing aircrafts.

\*Contact us for your customized requirements. Use customization sheet at the end



Dimensions are in mm  
Inches shown in bracket